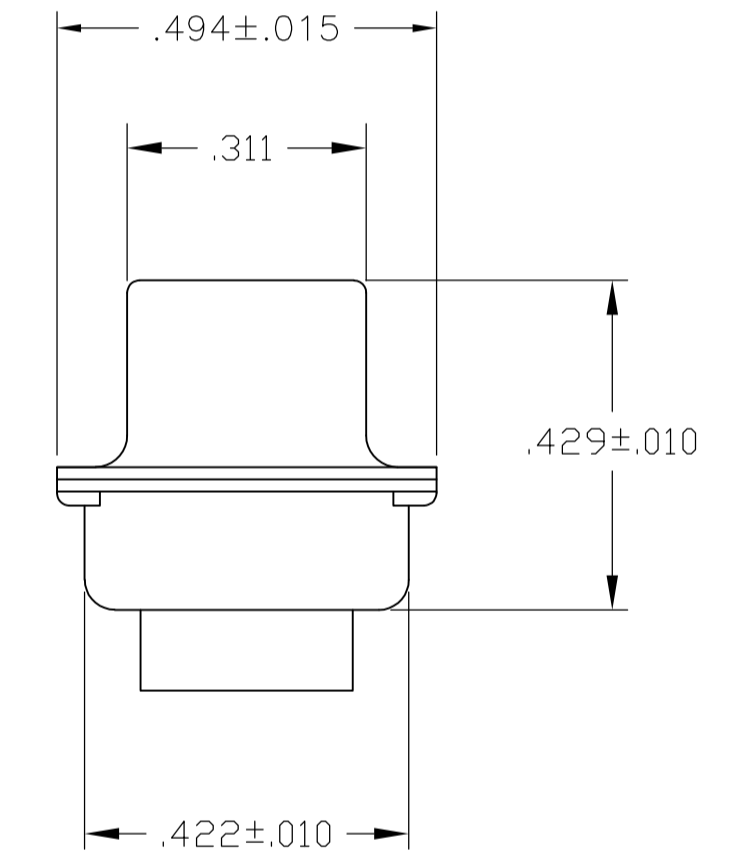
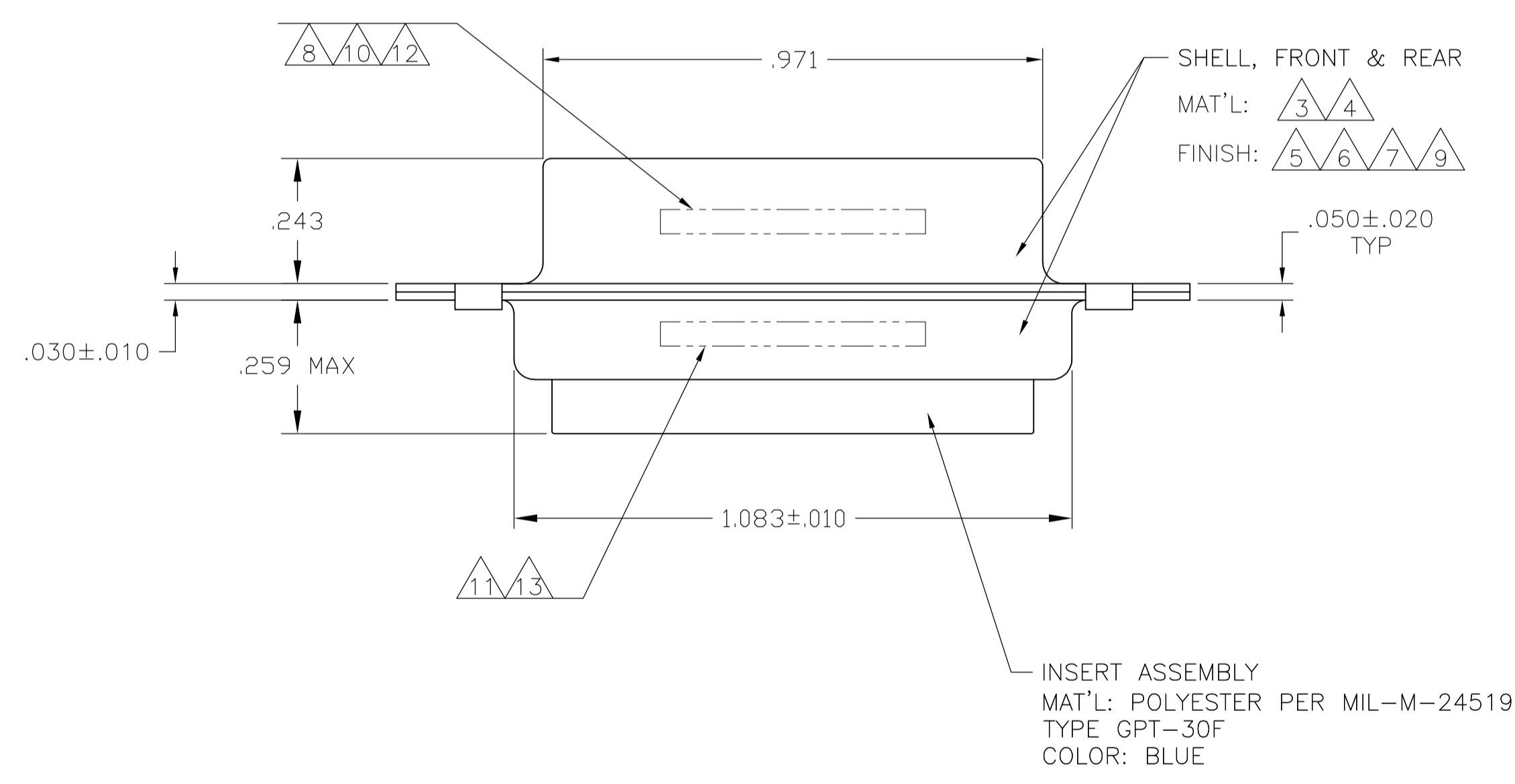
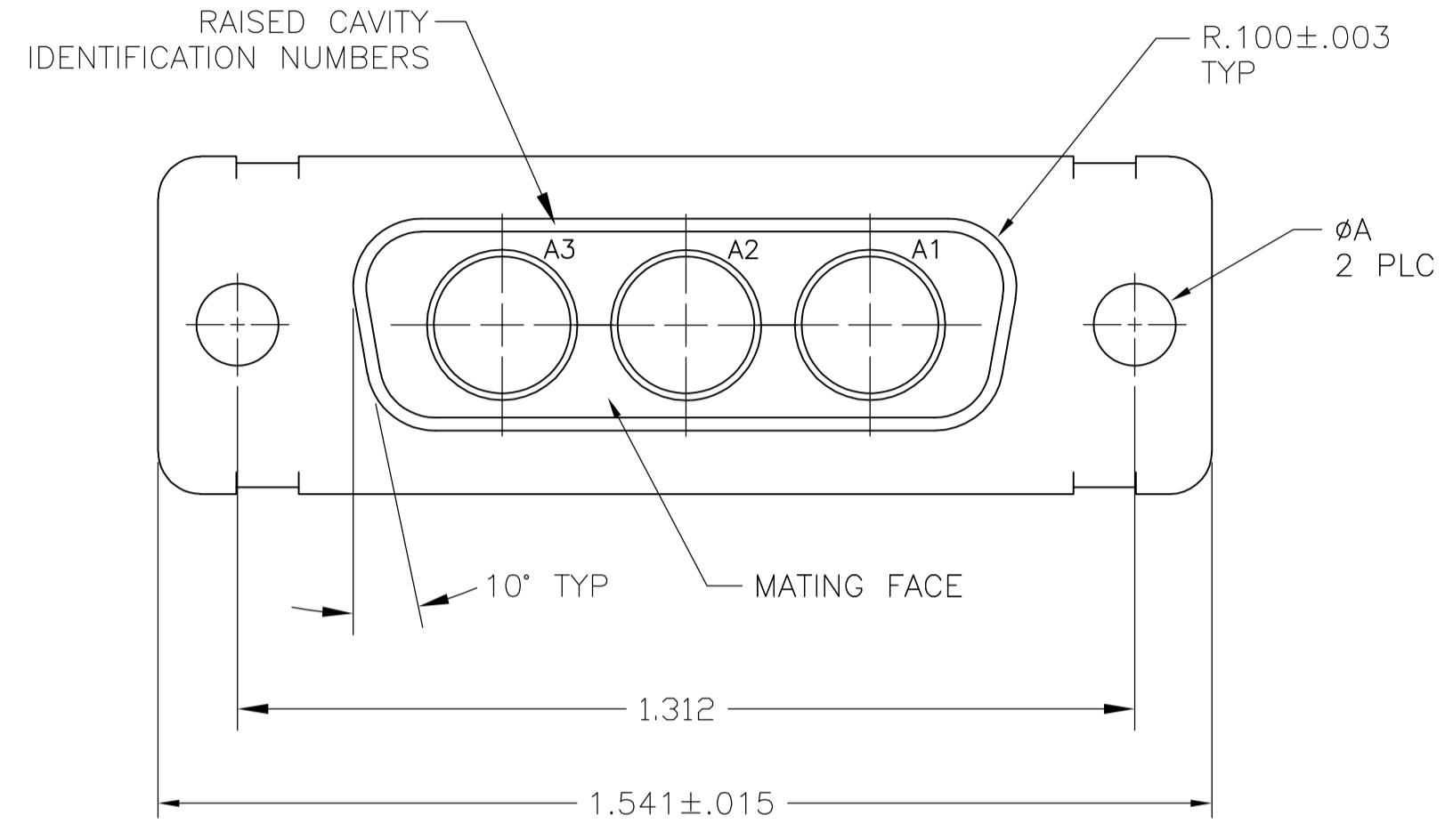


LOC		DIST		REVISIONS			
P	LTR	DESCRIPTION	DATE	DN	APVD		
V		REV PER ECO 12-004104	16MAR12	PY	RL		

- 1 THIS RECEPTACLE WILL MATE WITH ANY 3C3, SIZE 2 PLUG IN AMPLIMITE SERIES.
- 2 THIS CONNECTOR ACCEPTS (3) POWER 8, OR COAX SOCKET CONTACTS IN POSITIONS A1 THRU A3, PURCHASED SEPARATELY.
- 3 STEEL PER ASTM-A-109.
- 4 BRASS PER MIL-C-50 AND ASTM-B-36 UNS NO. C26000.
- 5 FINISH: TIN PER ASTM-B-545 .000400 MIN THK OVER COPPER PER AMS2418 .000050 MIN THK.
- 6 GOLD PLATED PER MIL-G-45204 TYPE II, GRADE C, CLASS 1 OVER COPPER PER MIL-C-14550, CLASS IV.
- 7 FINISH: PLATED CADMIUM PER QQ-P-416, TYPE II, CLASS 2, OVER COPPER PER MIL-C-14550, CLASS IV.
- 8 IF CUSTOMER PART NUMBER DOES NOT FIT ON FRONT SHELL NEAR SIDE, THEN SPLIT BETWEEN FRONT AND REAR SHELL FAR SIDE.
- 9 FINISH: ZINC PLATE PER ASTM-B-633 .000200-.000400 THK WITH SUPPLEMENTARY CHROMATE (Cr3+).
- 10 MANUFACTURER'S NAME, BRAND OR LOGO AND DATE CODE MARKED ON FAR SIDE. CUSTOMER PART NO MARKED ON NEAR SIDE
- 11 MFG'S PART NUMBER MARKED ON FAR SIDE
- 12 MARK DATE CODE AND CUSTOMER PART NUMBER, FAR SIDE
- 13 MARK MFG PART NUMBER ON NEAR SIDE



REMARKS	øA	CUSTOMER PART NO.	PART NO.
3 9 10 11	.120	-	5-445705-4
3 7 12 13	.120	T5935-0103-005	445705-8
3 5 10 11	.120	-	445705-7
4 6 10 11	.120	A010942-0042	445705-6
4 6 8 10 11	.120	B010942-0014	445705-5
3 7 10 11	.120	-	445705-4
4 6 8 10 11	.154	311P405-7S-B-15	445705-3
4 6 8 10 11	.120	311P405-7S-B-12	445705-2
3 5 10 11	.120	-	445705-1

THIS DRAWING IS A CONTROLLED DOCUMENT.

DIMENSIONS: INCHES  
 TOLERANCES UNLESS OTHERWISE SPECIFIED:  
 0 PLC ± -  
 1 PLC ± -  
 2 PLC ± -  
 3 PLC ± .005  
 4 PLC ± -  
 ANGLES ± 0', 30'

MATERIAL: SEE TABLE  
 FINISH: SEE TABLE

THIS DRAWING IS A CONTROLLED DOCUMENT.  
 C.C. THOMAS 01NOV88  
 CJK 02NOV88  
 A. EMADI 02NOV88  
 NAME: RECEPTACLE ASSEMBLY AMPLIMITE 3C3 SIZE 2, SERIES 109, COAX MIX  
 SIZE: A1  
 WEIGHT: -  
 CUSTOMER DRAWING: 00779C=445705  
 SCALE: 4:1 SHEET: 1 OF 1 REV: V

**STE** TE Connectivity  
 RECEPTACLE ASSEMBLY AMPLIMITE 3C3 SIZE 2, SERIES 109, COAX MIX  
 DATE: 16MAR12