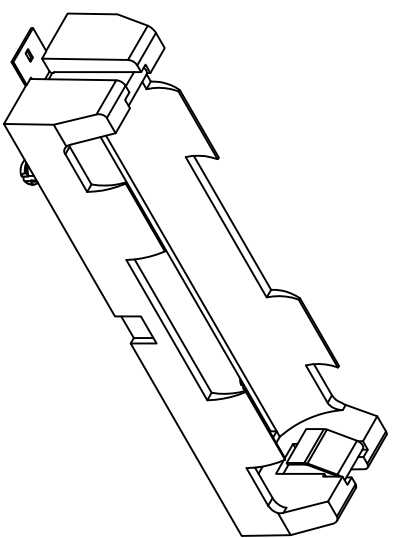
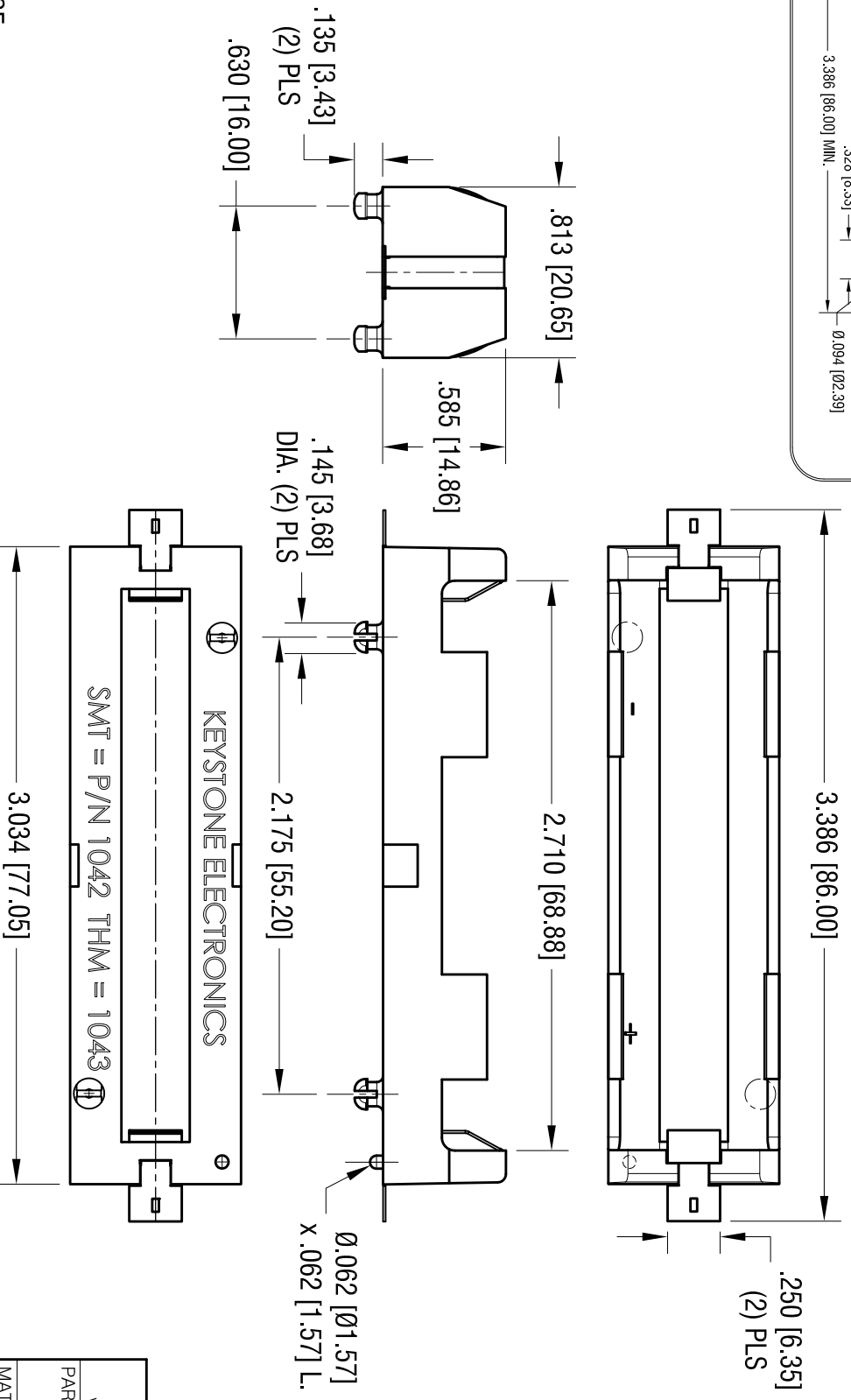
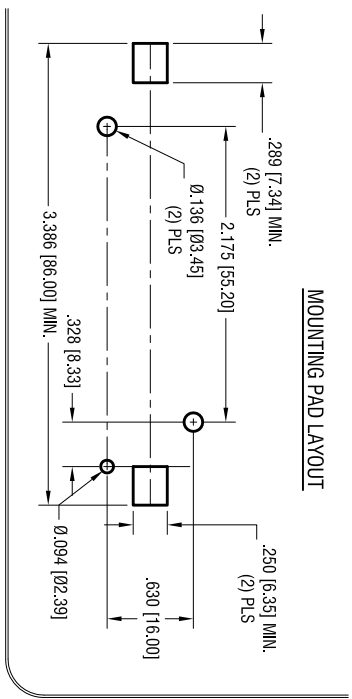


DATE	DESCRIPTION	REV.
10.24.10	AS PER ECN 10-062	A
10.04.10	CHANGE AS PER ECN 10-069	B
10.26.10	CHANGE AS PER ECN 10-075	C
4.12.11	CHANGE AS PER ECN 11-049	D



- NOTE:
1. BASE:
MATERIAL: HEAT RESISTANCE NYLON
STANLYL 46 OR EQUIVALENT
 2. CONTACT:
MATERIAL: .012 [0.30] THK PHOSPHOR BRONZE
FINISH: GOLD FLASH, OVER NICKEL PLATE

KEYSTONE ELECTRONICS CORP.			
www.keystec.com • ASTORIA, N.Y. 11105-2017 • Tel (718) 956-8900			
PART NAME PC BATTERY HOLDER, 18650			
MATERIAL AS NOTED			
FINISH AS NOTED		DRN BY NT	DATE 8.19.10
TOLERANCES DECIMAL ± .010 [± 0.25] ANGULAR ± 1°		CODE C	App'D LN
UNLESS OTHERWISE SPECIFIED		DWG NO. 1042	SCALE 1.25X

THIS DOCUMENT IS THE PROPERTY OF
KEYSTONE ELECTRONICS CORP. AND
SHALL NOT BE REPRODUCED, DISTRIBUTED
OR USED AS A BASIS FOR MANUFACTURE
WITHOUT PRIOR WRITTEN PERMISSION
FROM KEYSTONE ELECTRONICS CORP.