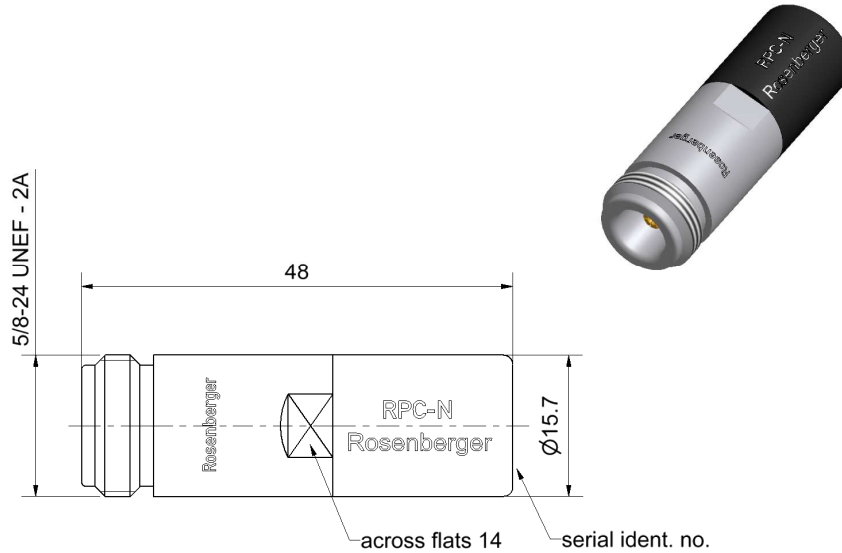


RPC-N  
50 Ω

Termination  
Jack

**05K150-010S3**



All dimensions are in mm; tolerances according to ISO 2768 m-H

**Interface**

According to IEC 61169-16

**Documents**

N/A

**Material and plating**

**Connector parts**

Center conductor  
Outer conductor  
Dielectric  
Substrate

**Material**

CuBe  
Stainless steel  
PPE  
Al<sub>2</sub>O<sub>3</sub>

**Plating**

Gold, min. 1.27 µm, over nickel  
Passivated

Dieses Dokument ist urheberrechtlich geschützt • This document is protected by copyright • Rosenberger Hochfrequenztechnik GmbH & Co. KG

RF\_35/05:10/6.0

# Technical Data Sheet

# Rosenberger

RPC-N  
50 Ω

Termination  
Jack

## 05K150-010S3

### Electrical data

Frequency range DC to 18 GHz  
Return loss  $\geq 28$  dB, DC to 18 GHz  
DC Resistance  $50 \Omega \pm 0.25 \Omega$   
Power handling  $\leq 1$  W

### Mechanical data

Mating cycles  $\geq 500$   
Maximum torque 1.70 Nm  
Recommended torque 1.10 Nm  
Gauge 5.18 mm to 5.26 mm

### Environmental data

Operating temperature range -40 °C to +85 °C  
Storage temperature range -40 °C to +85 °C  
RoHS compliant

### Packing

Standard 1 pce in box  
Weight 49.8 g/pce

While the information has been carefully compiled to the best of our knowledge, nothing is intended as representation or warranty on our part and no statement herein shall be construed as recommendation to infringe existing patents. In the effort to improve our products, we reserve the right to make changes judged to be necessary.

Draft	Date	Approved	Date	Rev.	Engineering change number	Name	Date
Kerstin Herzog	02/08/04	Lars Ramtke	19/03/15	e00	15-0329	Marion Striegler	19/03/15

Rosenberger Hochfrequenztechnik GmbH & Co. KG P.O.Box 1260 D-84526 Tittmoning Germany www.rosenberger.de	Tel. : +49 8684 18-0 Email : info@rosenberger.de	Page 2 / 2
--	---	---------------